

ap

AURORA PUMP

A member of PENTAIR PUMP GROUP

INSTRUCTION MANUAL

INSTALLATION

CLOSE COUPLED PUMP

2

GENERAL. The life of your Aurora pump can be extended considerably by carefully following the installation instructions contained herein. Each step of the pump installation instructions plays a vital part in assuring long life, efficient operation, and reduced maintenance, from the initial location of the pump through prestarting directions.

UNPACKING YOUR PUMP. The crate containing your pump should be opened immediately upon receipt from the factory, and the pump generally inspected for damage and shortage of parts. Particular attention should be given to the discharge and suction nozzle threads or flanges. Any damage or shortage of parts should be reported to the carrier immediately.

CLEANING. If your pump is to be installed immediately, it will be necessary to remove the protective covers from all openings, and to clean the exposed metal parts thoroughly with a cleaning solvent to remove the preservative coating.

STORAGE. If your pump is not to be put in service immediately it should be covered and stored in a clean dry area. The protective covers and preservative should be left intact until the pump is put into service. For extended storage, the pump should be dried internally with hot air or some other suitable means, and once free of moisture, filled with a protective fluid such as light oil or kerosene. Accordingly, at time of installation, the pump will have to be completely dismantled and thoroughly cleaned.

PLANNING THE PUMP LOCATION. You probably have spent considerable time planning where your pump will be located. However you may have overlooked some factor which may affect pump operation or efficiency.

The pump should be located as close to the liquid source as possible so that the suction line can be short and direct. It should be located in a clean, open area, where it is easily accessible for inspection, disassembly and repair. Pumps installed in dark, dirty areas or in cramped locations are often neglected which can result in premature failure of both the pump and the driver.

Your pump should be located so that a hoist or crane can be used to move it without interference from piping. This factor is often overlooked in the advance planning stage.

Protect your pump against the possibility of flooding. Although water will not seriously damage the pump, the drive motor can be damaged.

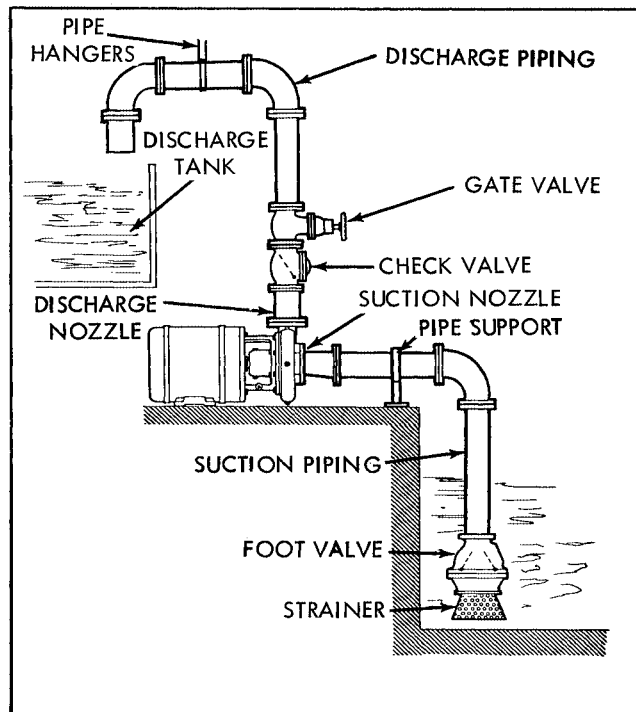


FIGURE 1. RECOMMENDED LOCATION - SHORT DIRECT SUCTION

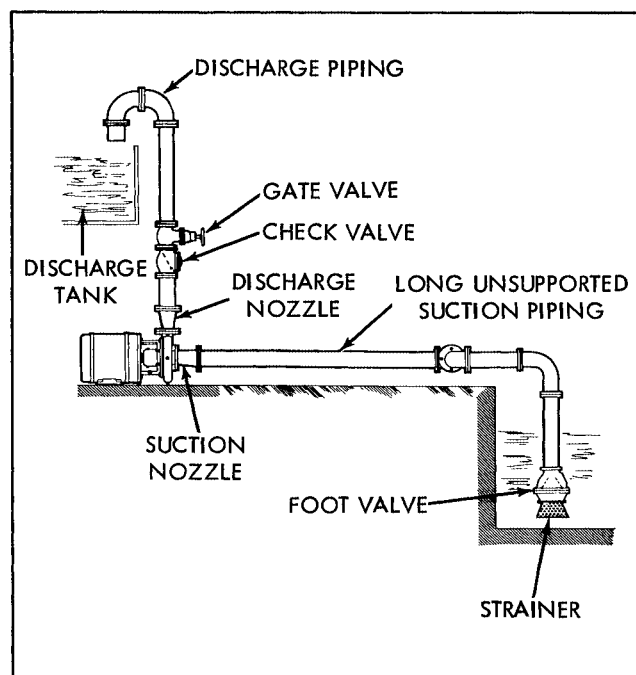


FIGURE 2. UNSATISFACTORY LOCATION - LONG INDIRECT SUCTION WITH NO SUPPORT

CLOSE COUPLED PUMP INSTALLATION

The pump should be located in an area where moisture, either from leakage through the packing or from condensation, can be adequately drained off. Moisture dripping on exposed metal or wood can cause rapid deterioration of the area. Also, wet floors produce safety hazards.

Adequate provisions should be made for electrical wiring to the pump motor. A switch and overload protection should be installed near the pump unless it is impractical. The electrical conduit should be positioned in such a way as to preclude the possibility of moisture entering the conduit or the motor and causing short circuits.

Outdoor installation will normally provide all of the above mentioned conditions. However it is advisable to provide a weather shelter for your pump.

FOUNDATION. The foundation for your pump must be sufficiently rigid to absorb any vibration and stress encountered during pump operation. A raised foundation of concrete is preferable for most floor mounted pumps. The raised foundation assures a satisfactory base, protects against flooding, simplifies moisture drainage, and facilitates keeping the area clean.

Your pump should be firmly bolted to the foundation, whether it is a raised concrete base, steelwork wall, or structural member. The mounting bolts or lag-screws should be accurately located per the applicable Aurora dimension sheet.

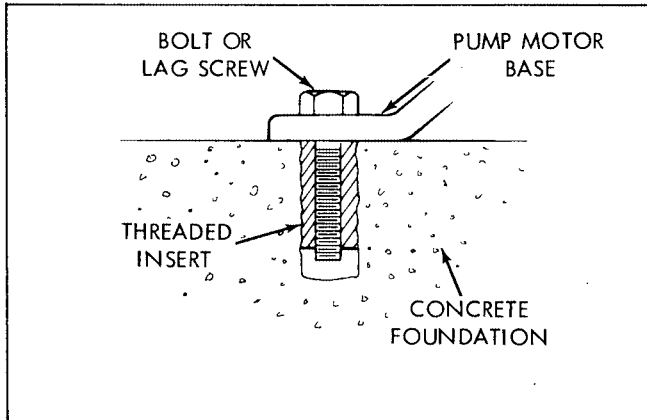


FIGURE 3. TYPICAL CLOSE COUPLED PUMP MOUNTING

Lag screws or bolts screwed into threaded inserts in the concrete are recommended for mounting close coupled pumps, rather than studs set into concrete. This permits removal of the drive motor without disturbing the pump liquid end or the piping.

If a large pump is to be mounted on steelwork or other structure, adequate support should be provided to prevent deflection of the structure which could produce excessive strain on the pump casing and piping.

SETTING THE PUMP. Check the mounting surfaces of the pump unit and the foundation to make sure they are clean and free of obstructions.

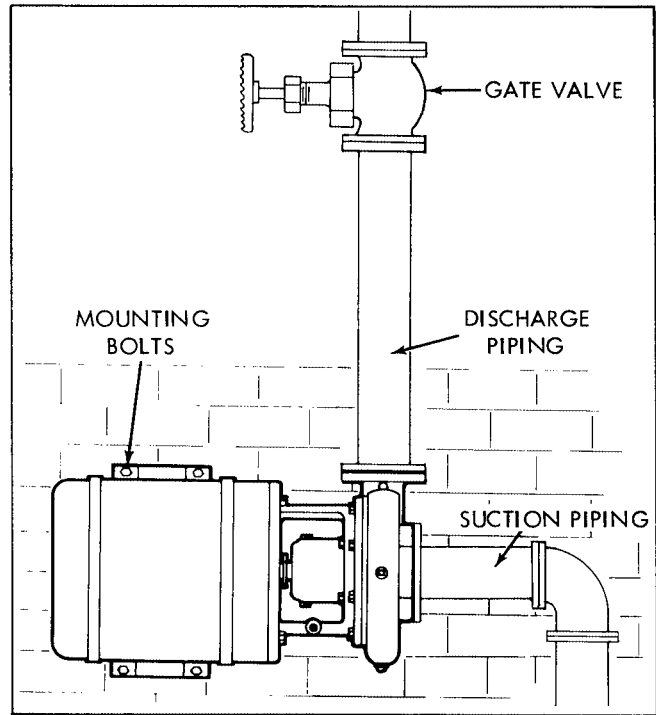


FIGURE 4. WALL MOUNTED PUMP

Set the pump on the foundation, being careful not to damage the foundation bolts or studs, if used.

Tighten the nuts or bolts finger tight.

LEVELING THE PUMP. Level the pump unit using the suction and discharge nozzles or flanges as reference points. Insertion of a short piece of pipe in the threaded nozzles will facilitate use of a spirit level to determine whether or not the pump unit is level in all directions. A spirit level also can be used on the machined faces of the suction and discharge flanges. Insert shims under the mounting feet as required until the pump is level. Firmly tighten the nuts or bolts securing the pump to the foundation.

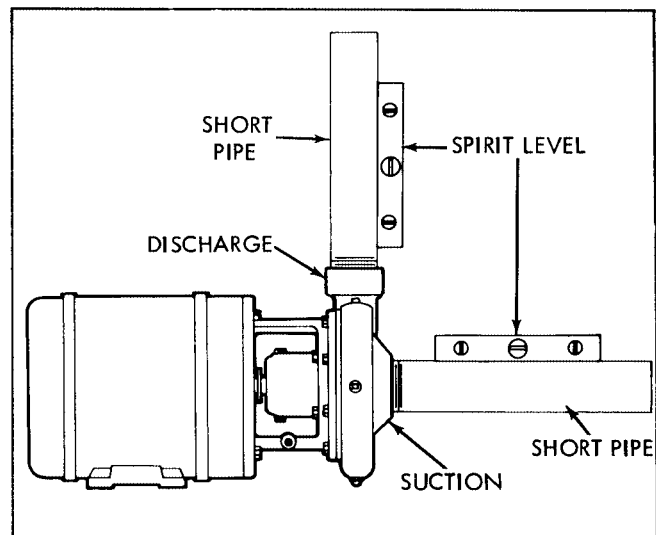


FIGURE 5. LEVELING PUMP WITH SPIRIT LEVEL AND SHORT LENGTHS OF PIPE

CLOSE COUPLED PUMP INSTALLATION

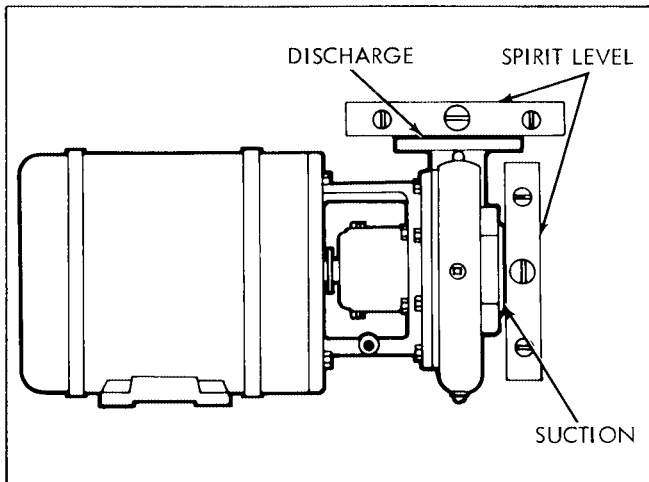


FIGURE 6. LEVELING WITH SPIRIT LEVEL ON PUMP FLANGES

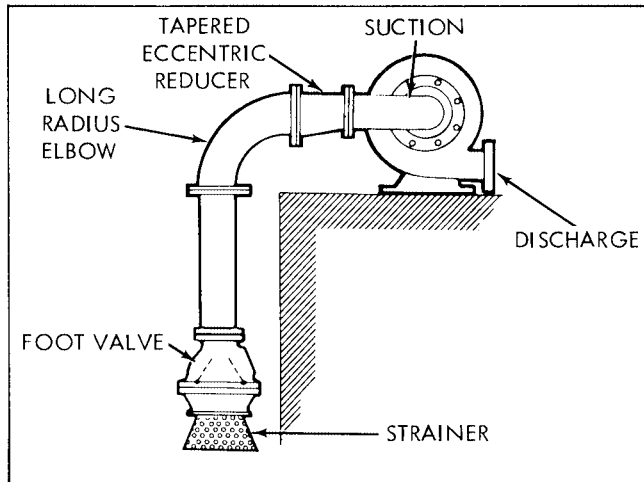


FIGURE 8. RECOMMENDED SUCTION LIFT PIPING - SHORT AND DIRECT

PIPING. Your pump unit is now ready to be piped. The piping practices you follow will directly affect the efficiency and power consumption of your pump. Pay particular attention to the seemingly insignificant details involved in piping your pump for they make the difference between a good and bad installation.

SUPPORTING THE PIPE. Both the suction and the discharge piping should be independently supported near the pump. Liberal use of pipe hangers and support blocks will prevent excessive strain on the pump casing and on the pipe joints.

SUCTION PIPING. The suction piping should be short, but no less than ten pipe diameters in length, and direct with as few elbows and fittings as possible to keep head loss, from friction, at a minimum. However, the suction pipe should provide a minimum uninterrupted length, equal to ten pipe diameters, to the pump suction flange. A horizontal suction line should have a gradual rise to the pump, and pass under any interfering piping.

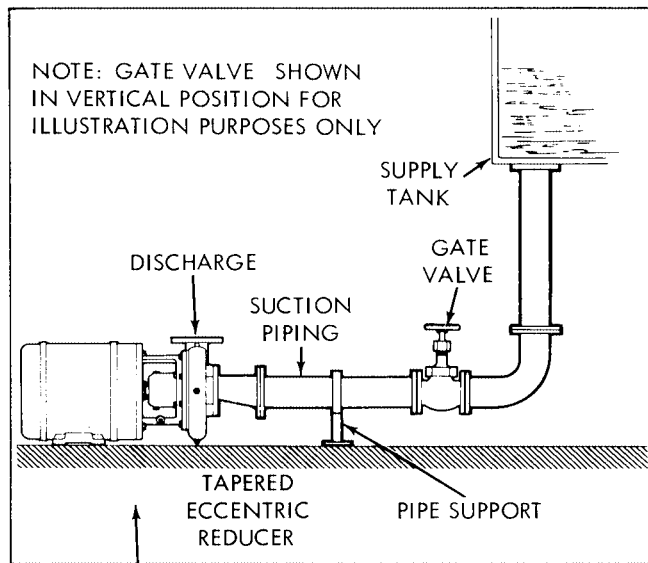


FIGURE 9. RECOMMENDED FLOODED SUCTION PIPING - SHORT AND DIRECT

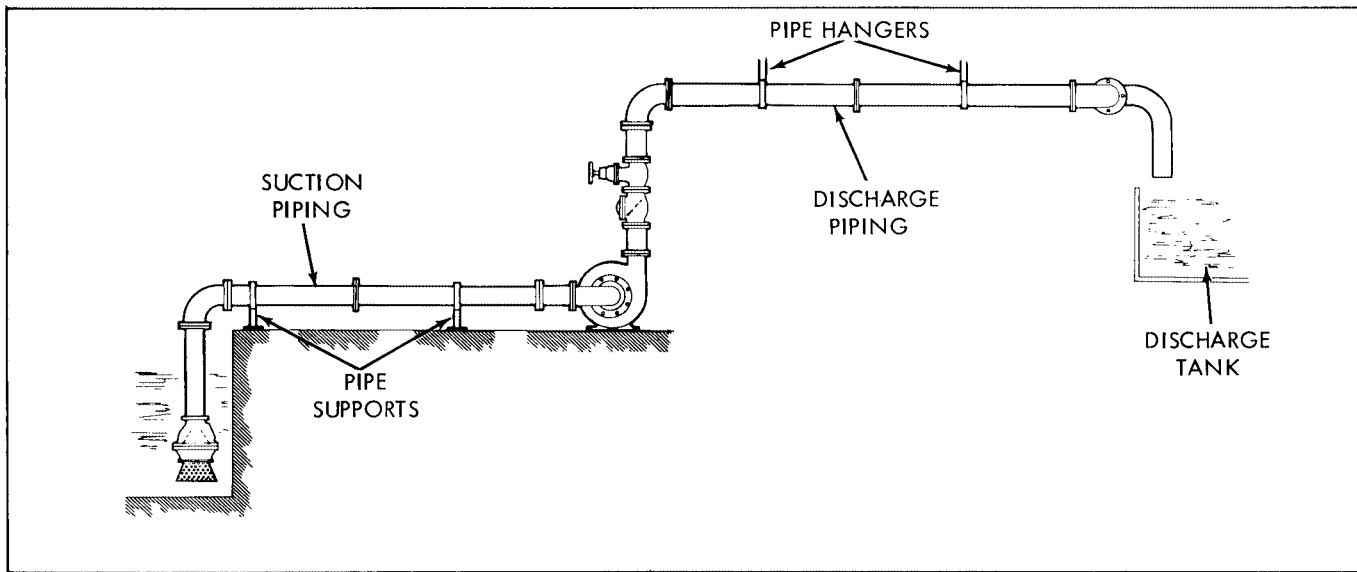


FIGURE 7. SUPPORTING PIPING

CLOSE COUPLED PUMP INSTALLATION

PIPE. The suction pipe diameter should be at least the same diameter as the suction nozzle on the pump, and preferably larger. Use of a smaller diameter pipe will result in loss of head due to friction. All joints must be tight to maintain prime on the pump.

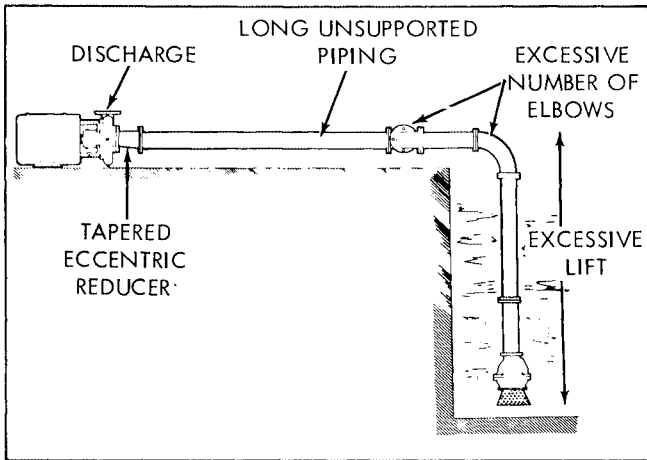


FIGURE 10. UNSATISFACTORY SUCTION LIFT PIPING - LONG AND INDIRECT WITH NO SUPPORT

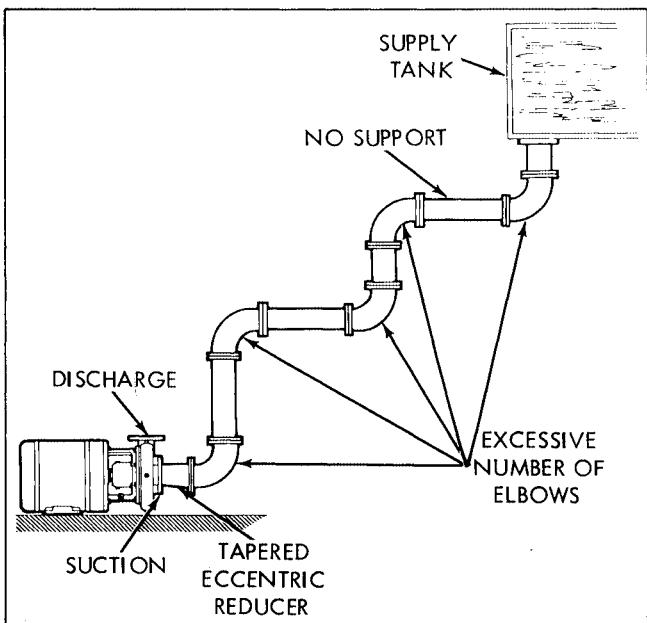


FIGURE 11. UNSATISFACTORY FLOODED SUCTION PIPING - LONG AND INDIRECT WITH NO SUPPORT

ELBOWS. Long radius elbows should be used in place of standard elbows wherever possible, because of their superior flow characteristics. For instance, head loss in a standard four inch elbow is equivalent to the head loss in a piece of pipe 11 feet long, while the head loss in a long radius elbow is approximately half as much. Elbows should not be used at the suction nozzle, but if it is unavoidable, they should be installed in a vertical position. Elbows installed in any position at the suction nozzle have a tendency to distribute the liquid unevenly in the impeller chamber, causing a reduction in capacity, and creating an undesirable thrust condition.

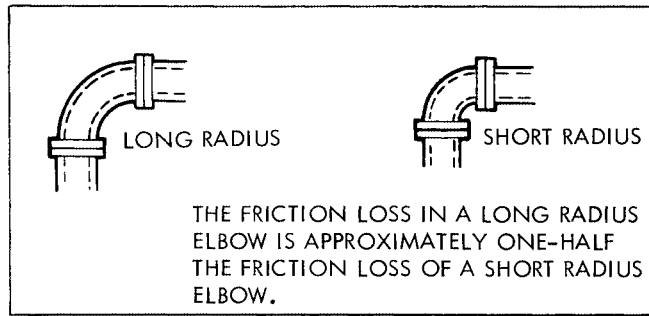


FIGURE 12. LONG VERSUS SHORT RADIUS ELBOWS

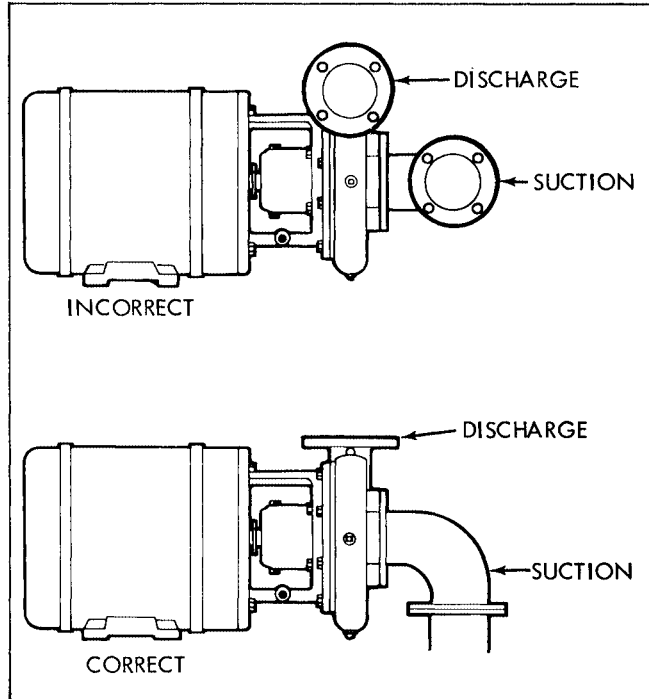


FIGURE 13. ELBOW INSTALLATION ON SUCTION NOZZLE

REDUCERS. Eccentric reducers should be installed directly at the suction nozzle, with the taper at the bottom to prevent air pockets from forming. Straight taper reducers should never be used in a horizontal suction line because of the air pocket that is formed at the leg of the reducer and the pipe.

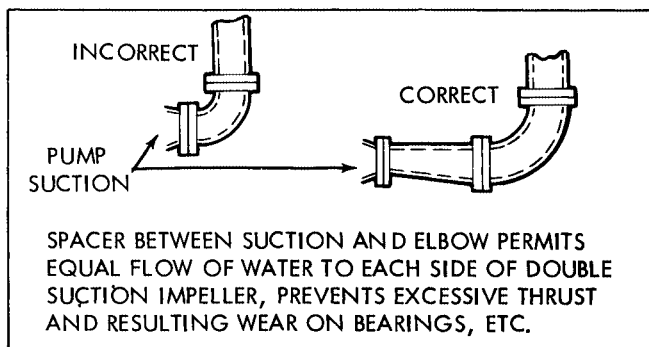
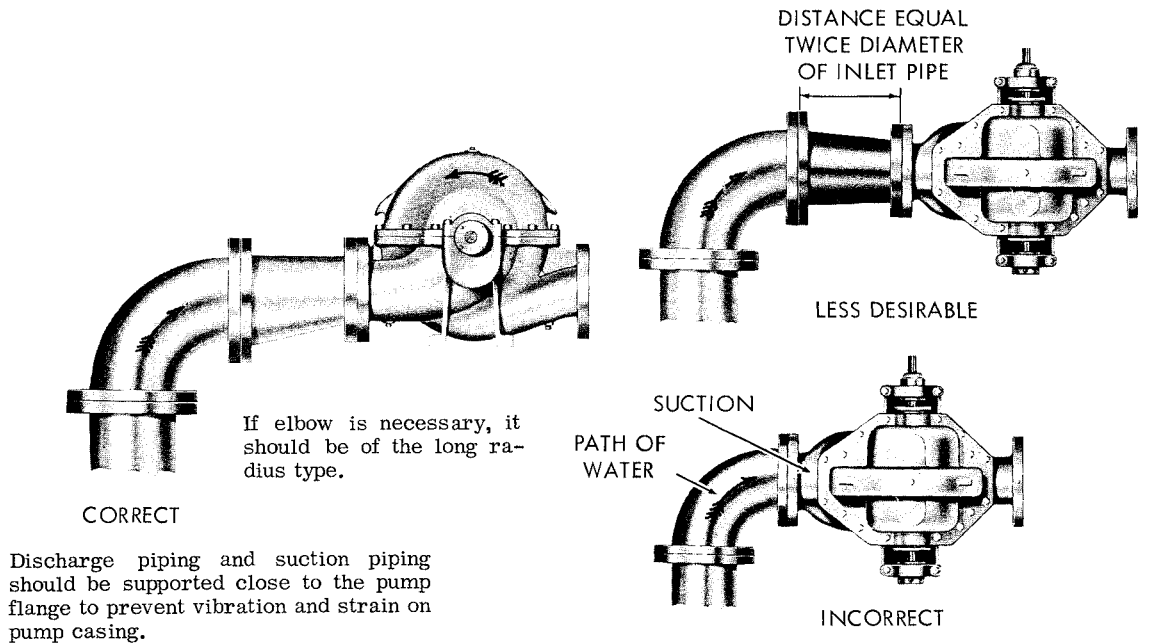


FIGURE 14. REDUCER BETWEEN ELBOW AND PUMP SUCTION NOZZLE

CLOSE COUPLED PUMP INSTALLATION

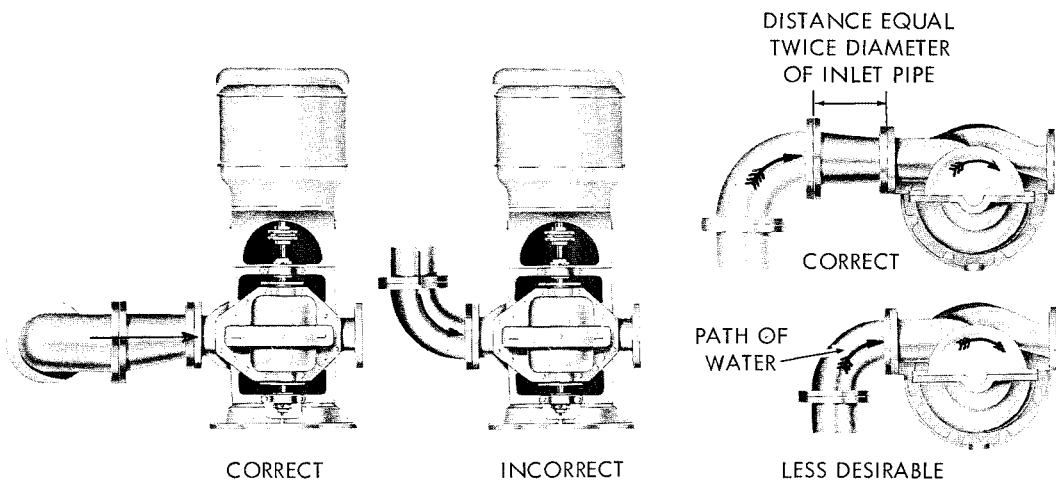
SPECIAL SUCTION PIPING SPECIFICATIONS FOR HORIZONTAL DOUBLE SUCTION PUMPS



The suction pipe on horizontal double suction pumps, should not be installed so that there is an elbow close to the suction nozzle unless the elbow is mounted vertically. There is always an uneven flow of liquid through an elbow and when the elbow is installed at any angle other than vertical more water will enter one side of the impeller than enters the other side. This causes a reduction in capacity and efficiency and creates an axial thrust load which may over heat and possibly cause rapid wear of the thrust bearing.

FIGURE 15

SPECIAL SUCTION PIPING SPECIFICATIONS FOR VERTICAL DOUBLE SUCTION PUMPS



Suction connections for vertical mounted double suction pumps should be installed the opposite of horizontal pumps. That is, if an elbow is installed close to the suction nozzle it should only be mounted horizontally. Any angle other than horizontal will cause more water to enter one side of the impeller than enters the other side. This causes a reduction in capacity and efficiency and creates an axial thrust load which may over heat and possibly cause rapid wear of the thrust bearing.

FIGURE 16

TYPICAL PIPING FOR DOUBLE SUCTION PUMPS

CLOSE COUPLED PUMP INSTALLATION

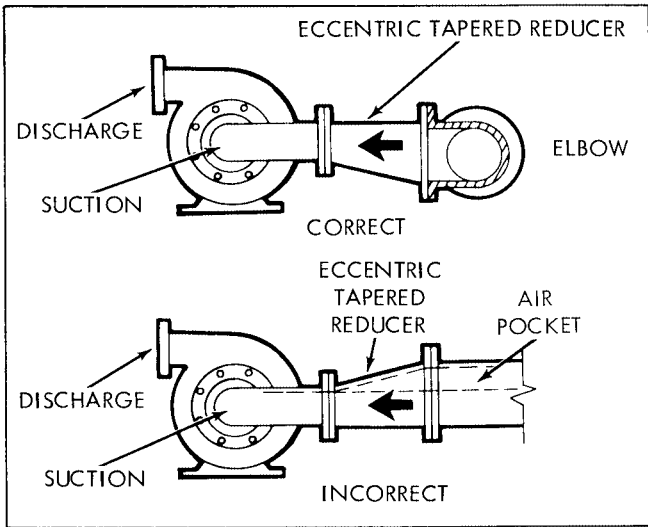


FIGURE 17. INSTALLATION OF TAPERED REDUCERS

DISCHARGE PIPING. Discharge piping should also be short and direct as possible, with few elbows and fittings, to reduce head loss from friction.

PIPE. The discharge pipe diameter should be the same as, or larger than, the discharge nozzle diameter. The size of discharge pipe to be used is dependent upon the application. The recommended pipe diameter can be obtained from your nearest Aurora Pump Sales Office.

ELBOWS. Long radius elbows should be used in the discharge piping as well as in the suction piping, to prevent excessive head loss due to friction. Whenever possible, elbows should not be installed directly at the discharge nozzle as the turbulence created by the elbow will affect pressure gauge readings.

REDUCERS AND INCREASERS. An increaser should be installed at the discharge nozzle if larger diameter discharge piping is used. Straight taper increasers and/or reducers are satisfactory in discharge piping, because air pockets on the discharge side do not affect pump efficiency.

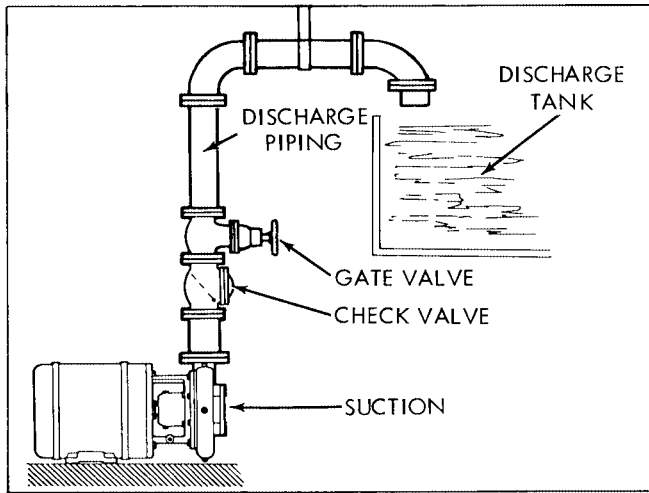


FIGURE 18. RECOMMENDED DISCHARGE PIPING - SHORT AND DIRECT

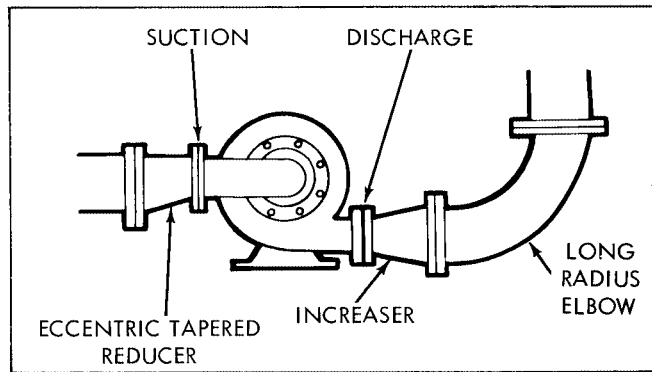


FIGURE 20. REDUCER INCREASER INSTALLATION

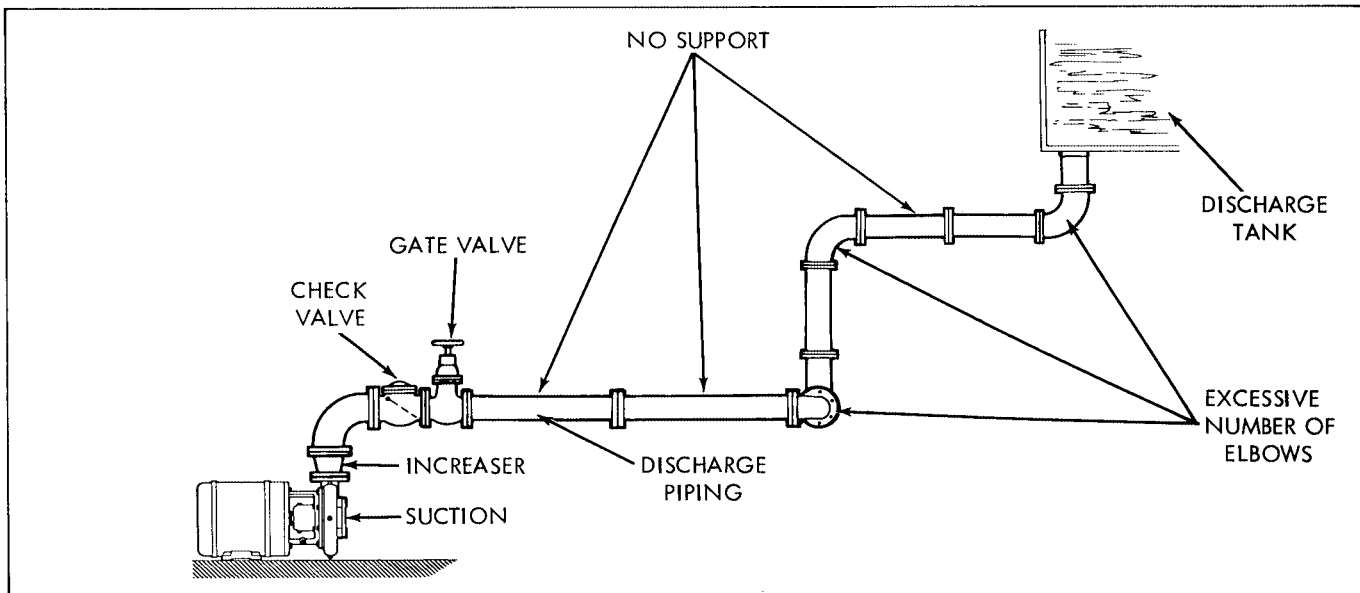


FIGURE 19. UNSATISFACTORY DISCHARGE PIPING - LONG WITH EXCESSIVE ELBOWS AND JOINTS

EXPANSION JOINTS. Expansion joints are used primarily to prevent transmission of piping strain, caused by thermal expansion and contraction, piping misalignment, pressure changes, or other causes, to the pump casing. They are also used to suppress any noise that may be transmitted through the piping. It is recommended that the flexible metal type of expansion joint be used because rubber expansion joints, while costing less, have a tendency to deteriorate, making frequent replacement necessary.

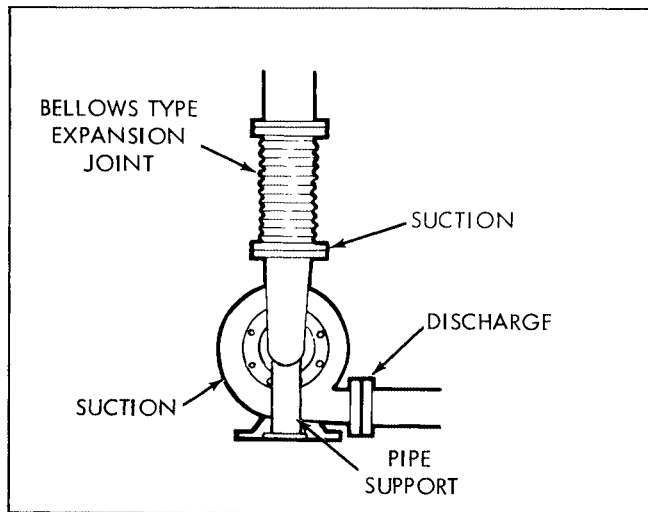


FIGURE 21. EXPANSION JOINT IN SUCTION LINE

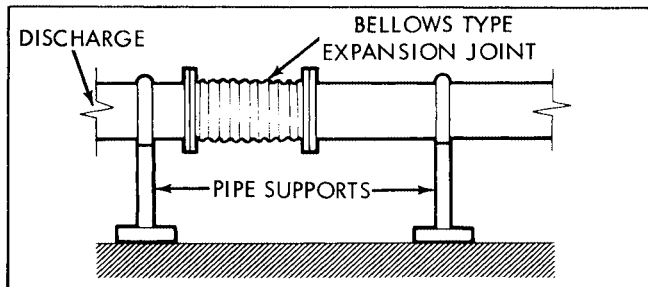


FIGURE 22. EXPANSION JOINT IN DISCHARGE PIPING

If an expansion joint must be used, an anchor or restraining device should be installed between the joint and the pump to prevent objectionable forces from being transmitted to the pump. If an anchor is not installed at this point, a force equal to the area of the expansion joint times the pressure in the pipe is developed and transmitted to the pump. This force may exceed the allowable flange loading and could result in damage to the pump or piping.

PIPE ALIGNMENT. Proper piping alignment is essential before connection is made. Piping alignment should never be achieved by force, as this could produce strain on the piping and the pump casing. Proper supports should be installed for the piping to keep its weight off the pump casing.

When flange bolts are used, line up the piping first, then loosely install flange bolts. Check the piping alignment, and tighten the flange bolts until all bolts are tightened securely.

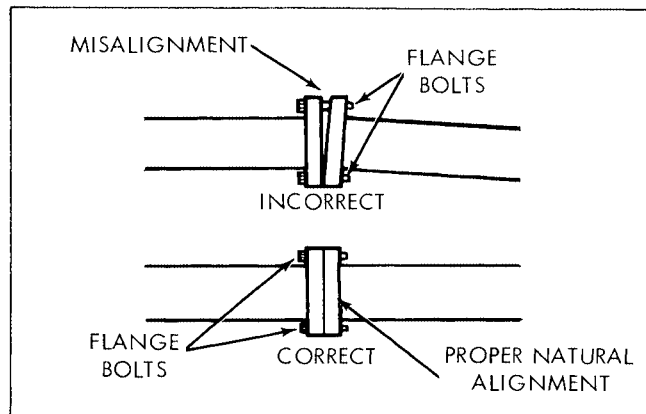


FIGURE 23. PIPE ALIGNMENT

AIR IN PIPING. One of the most common conditions affecting pump efficiency is the formation of air pockets in the suction line. The air pockets are a result of high points and improper installation of elbows, reducers, and valves in the suction piping.

For suction lift applications, lantern rings are required to prevent air from leaking into the pump through the stuffing box.

The pump seals or packings depend on the liquid being pumped for lubrication. Excessive air can prevent proper lubrication with resultant damage to them.

In suction lift applications, the suction pipe in the liquid well must be sufficiently submerged to prevent exposure of the end of the pipe when the well is at its minimum level and to prevent vortexing action (whirlpool effect) of the liquid at the suction pipe, which will draw air into the pipe. Also, care should be taken to keep the suction pipe located away from the well inlet since the incoming liquid may be carrying air bubbles. Another cause of air in the liquid is dropping of the liquid from too high a point into the well.

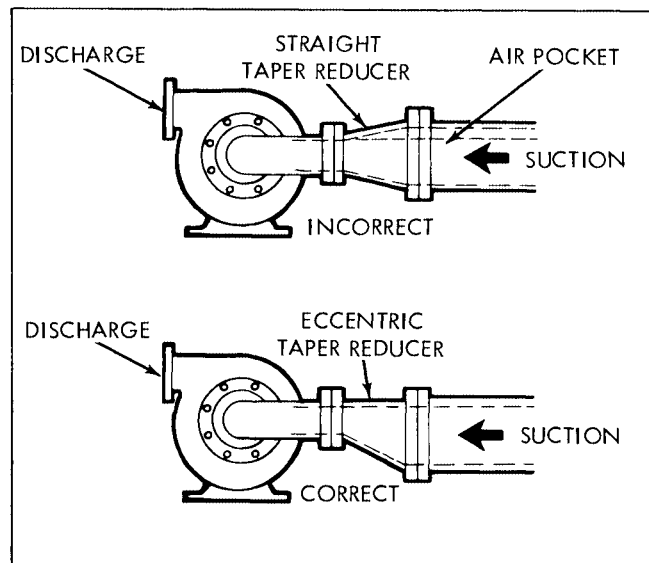


FIGURE 24. AIR POCKET IN REDUCER

CLOSE COUPLED PUMP INSTALLATION

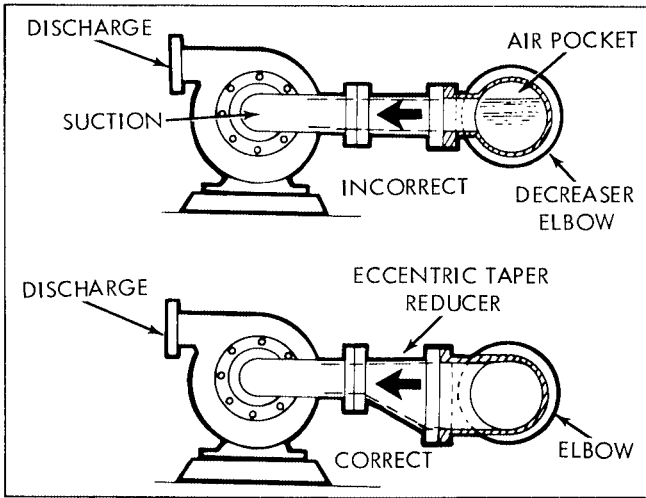


FIGURE 25. AIR POCKET IN ELBOW

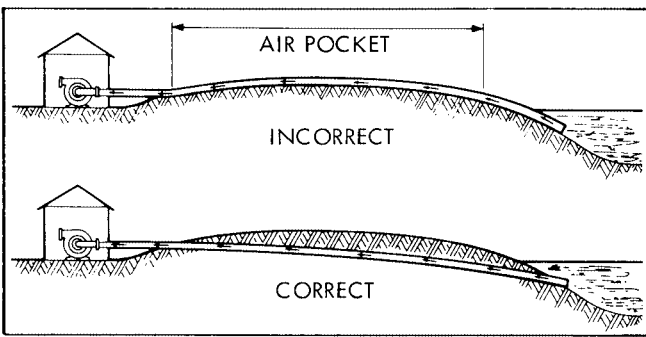


FIGURE 26. AIR POCKET IN HORIZONTAL SUCTION PIPING

VALVES. Valves are an important part of your installation, for they facilitate priming of the pump, and control the volume of the pumped liquid.

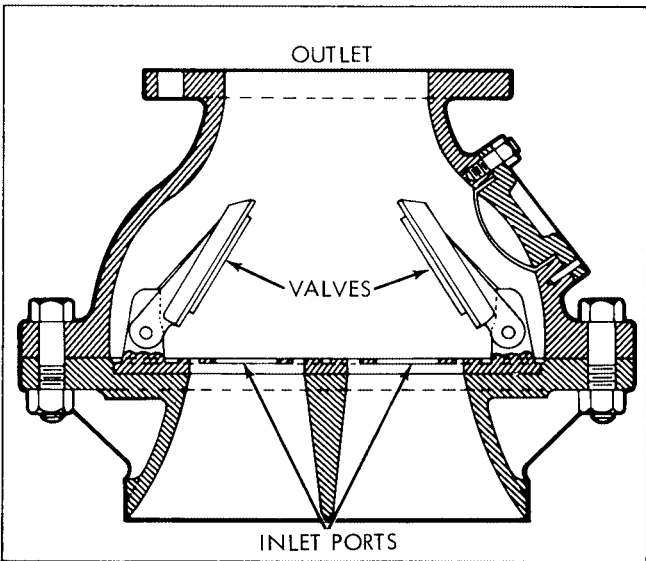


FIGURE 27. FOOT VALVE

SUCTION LIFT. In suction lift applications where the suction lift is low a foot valve can be installed, to maintain the prime on the pump. A foot valve is

essentially a check valve, allowing flow in one direction only, toward the pump. When the pump is shut down, the pressure of the liquid returning to the well, causes the valve to close, retaining the liquid in the suction line.

A slow closing check valve should be installed when the static discharge head is high. A foot valve should not be used under these conditions, as failure of the driver would allow the water to rush back rapidly thus causing a heavy water hammer.

Foot valves, when used, should be of the flat type rather than multiple spring type. The valve should have a large inlet area, because the friction loss in a foot valve is high. Install check and foot valves as indicated by arrow to ensure proper installation.

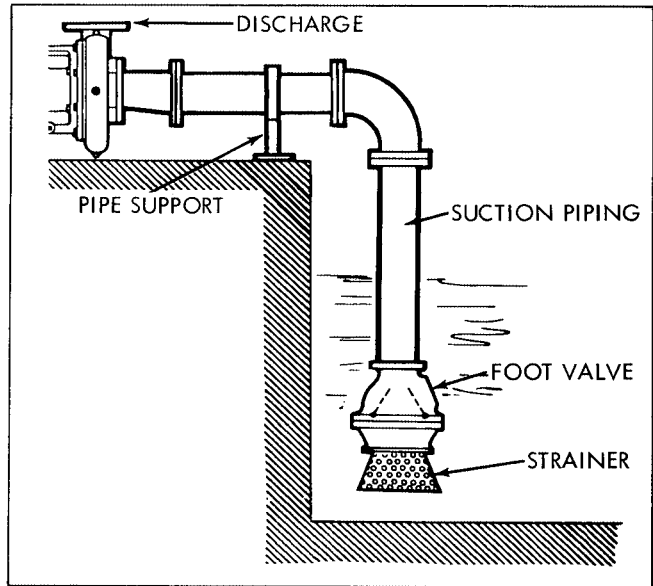


FIGURE 28. FOOT VALVE INSTALLED WITH SCREEN

FLOODED SUCTION. When the liquid source is above the pump centerline, a flooded suction condition exists, and a gate valve is required to shut off the liquid supply for pump inspection and maintenance. The gate valve should be installed with the stem in a horizontal or downward position to prevent formation of an air pocket in the valve.

DISCHARGE VALVES. The discharge piping should include a check valve and a gate valve. The check

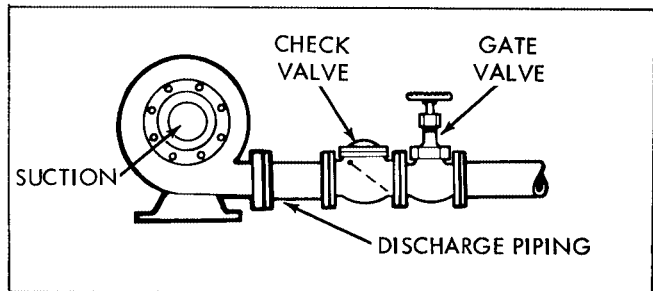


FIGURE 29. GATE VALVE AND CHECK VALVE

CLOSE COUPLED PUMP INSTALLATION

valve should be located between the gate valve and the pump. If an increaser is used in the discharge piping, the increaser should be installed between the pump nozzle and the check valve. The check valve protects against a reverse flow of the liquid if the driver fails.

The gate valve is used in the priming operation, as a throttling valve to control pump volume, and to shut down the pump for inspection and maintenance.

AIR VENT VALVE. Vent valves are installed at the high points in the pump casing to allow air or vapor to escape. These valves are used to release trapped air from the pump casing during priming and when pump becomes air bound.

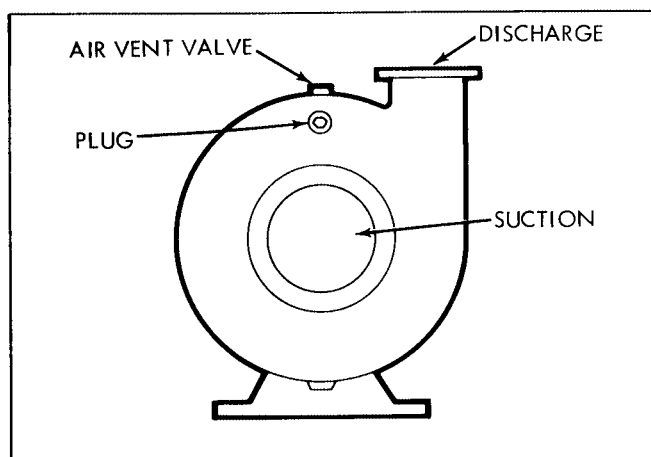


FIGURE 30. AIR VENT VALVE OR PLUG

STRAINERS AND SCREENS. It is important to remove foreign matter that can clog the pump and impair its capacity, or stop it completely. Small particles such as sand, dirt, scale from inside pipe and other extraneous materials can get into the close clearance parts of the pump and cause considerable damage to the parts.

Strainers should be selected so as to have a total area of holes equal to at least four times the suction pipe area.

In applications where sticks, twigs, leaves and other large debris are present, a larger outside screen should be placed around the suction inlet to prevent choking of the strainer. This screen should have sufficient openings so that flow velocity does not exceed two feet per second.

PRIMING THE PUMP. Your pump will not operate satisfactorily until it is primed. All air must be expelled from the suction piping and pump casing, and replaced by the liquid to be pumped. There are several methods of priming pumps. The one you select will depend on your specific requirements.

FLOODED SUCTION PRIMING. This method of priming a pump is relatively simple. The liquid source is located above the pump, and all that is necessary to prime the pump is to open the air vent

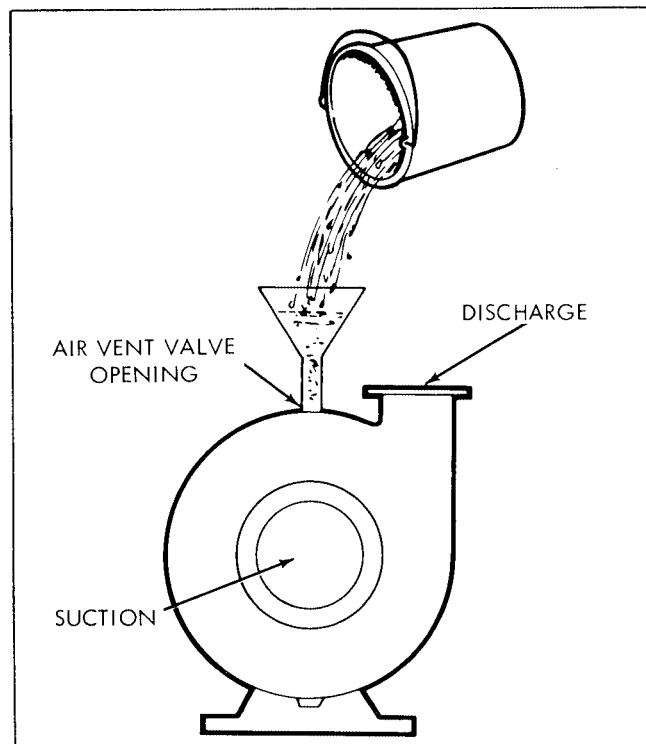


FIGURE 31. PRIMING BY HAND

valve or plug in the pump casing, and to crack the gate valve in the suction line. The suction line and pump should be filled slowly until a steady stream of liquid is observed flowing from the air vent. After your pump is operating, it is recommended that the air vent valve or plug be opened again to insure that all air has been expelled from the pump casing.

FOOT VALVE PRIMING. A foot valve can be used for priming on suction lift applications. The foot valve, located at the bottom end or foot of the suction piping, functions as a check valve which allows flow in one direction only, toward the pump.

Initial priming is accomplished by completely filling the suction piping and pump casing with the liquid to be pumped. This can be done by removing the air vent valve or plug at the top of the pump casing and inserting a pipe nipple in the orifice, with an appropriate increaser to accommodate a hose connection. A priming line can also be inserted in the discharge piping between the check valve and the pump or the priming can be done with a bucket and funnel. The important thing is to completely fill the suction pipe and pump casing with liquid.

When the pump is started, the vacuum created by pumping the priming fluid, combined with atmospheric pressure in the liquid well, forces liquid into the suction piping, thus opening the valve and keeping it open until the pump is shut down. When the pump is shut down, the liquid being pumped reverses its flow, causing the valve to close, trapping the liquid in the suction piping and pump casing, thus maintaining a prime on the pump.

VACUUM PRIMING. Vacuum priming consists of removing air from the pump casing and suction

CLOSE COUPLED PUMP INSTALLATION

pipng and drawing liquid into them by means of a vacuum creating device. The types of vacuum equipment range from a simple hand pump to complex central priming systems. Your specific priming requirements will govern what type of vacuum primer you use.

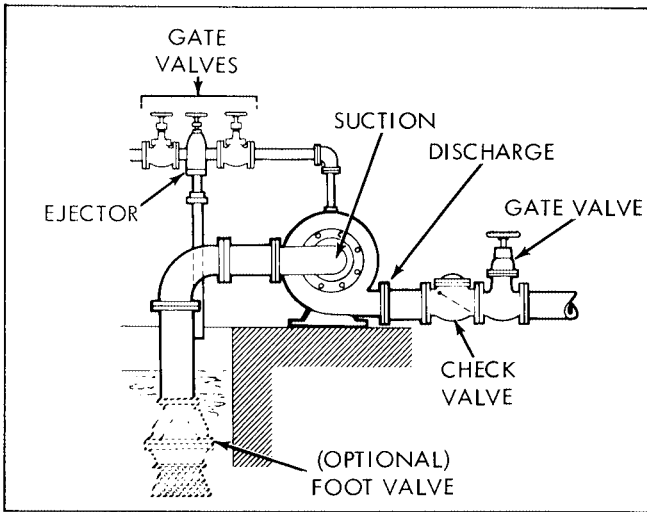


FIGURE 32. PRIMING BY EJECTOR

AIR EJECTOR. One type of vacuum primer is the air ejector. If liquid under pressure or steam is available, an ejector can be used. The ejector is connected to the air vent orifice. A stream of the ejecting medium is passed through the ejector creating a vacuum in the ejector, and drawing air from the pump casing and suction piping. When liquid flows steadily from the ejector discharge pipe, the pump is primed.

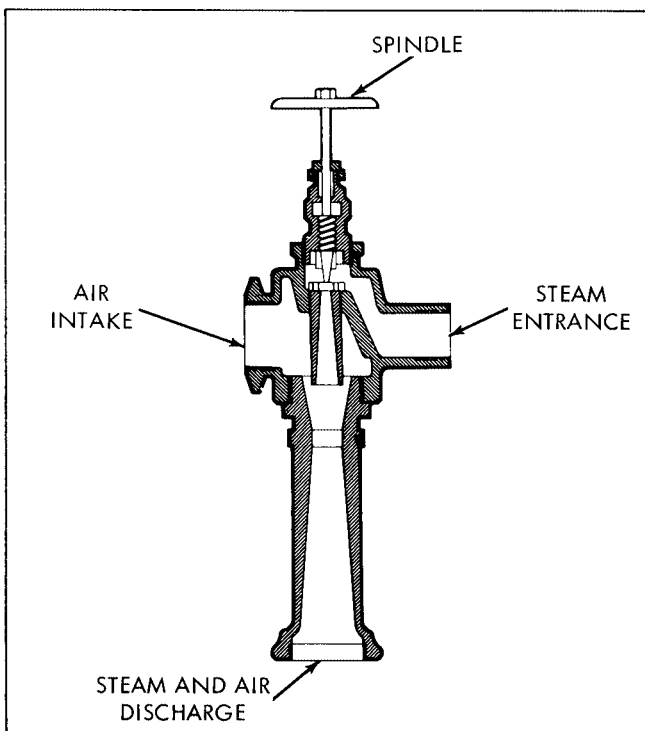


FIGURE 33. EJECTOR CUTAWAY

VACUUM PUMPS. Rotary or reciprocating pumps are frequently used as vacuum pumps. They fall into two categories, wet-vacuum and dry-vacuum. The principle of operation is essentially the same, however, the dry-vacuum pump cannot accommodate a liquid and air mixture while the wet-vacuum pump can accommodate liquid, air or a combination of both.

Vacuum pumps can be installed as part of a central priming system servicing many pumps, as an automatic priming system, or as a manually controlled independently driven pump.

The suction piping of the vacuum pump is connected to the air vent orifice on the pump to be primed. The vacuum produced by the vacuum pump removes air from the centrifugal pump suction piping and casing, and draws liquid from the liquid well into the centrifugal pump. Dry-vacuum pumps must be installed so that no liquid is taken into the air pump. Installation of a water trap, or use of a vacuum tank are recommended for dry vacuum pumps.

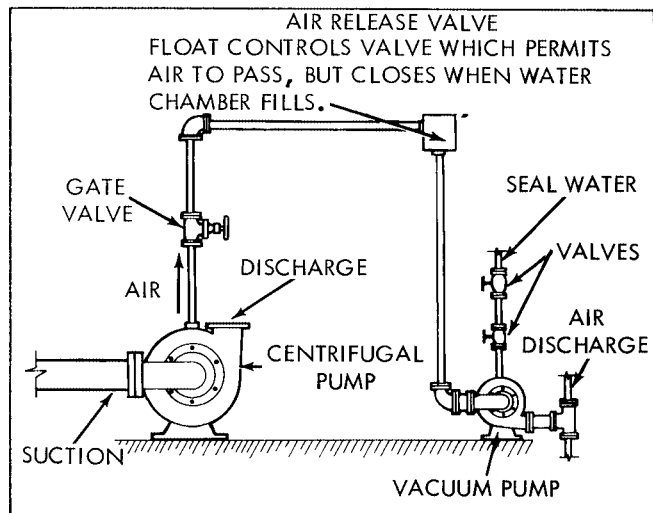


FIGURE 34. PRIMING BY VACUUM PUMP

INDUCTOR PRIMING. On suction lift applications it may be desirable to prime your pump with a priming inductor. This type of primer is comprised of a liquid nozzle and an inductor at the foot end of the suction piping. The nozzle and inductor are connected to a high pressure liquid supply such as a city water service.

The pump is primed by opening the valve in the pressure line, which allows the liquid to flow through the nozzle into the inductor. The velocity of the high pressure liquid drives the liquid into the suction piping and up to the pump, priming it.

ELECTRICAL WIRING. Normally, your pump will be supplied with an attached drive motor. The motor should be wired in accordance with the wiring diagram found on the motor name plate. Be sure the voltage, frequency, and phase of your power supply corresponds with the name plate data. It is advisable to provide a separate switch and overload protection for your pump motor to protect against power

CLOSE COUPLED PUMP INSTALLATION

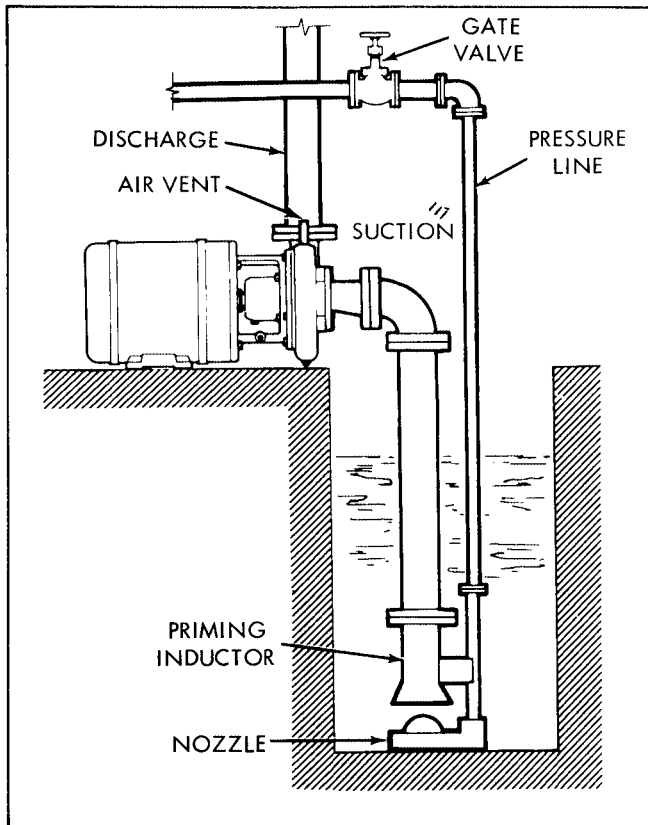


FIGURE 35. PRIMING BY INDUCTOR

failure in some other area. Conversely, if the pump motor develops electrical problems, it will be isolated from other equipment.

PRESTARTING INSTRUCTION. Before starting the pump, check the direction of rotation. Make sure that the rotation is the same as the arrow on the casing, or as otherwise indicated.

CAUTION

Do not operate the pump without liquid. Pump seals or packing depend on the liquid being pumped for lubrication.

Be sure the pump is primed and that no air exists in the suction pipe and pump casing.

Check the various valves to make sure they are open or closed as required by your specific application.