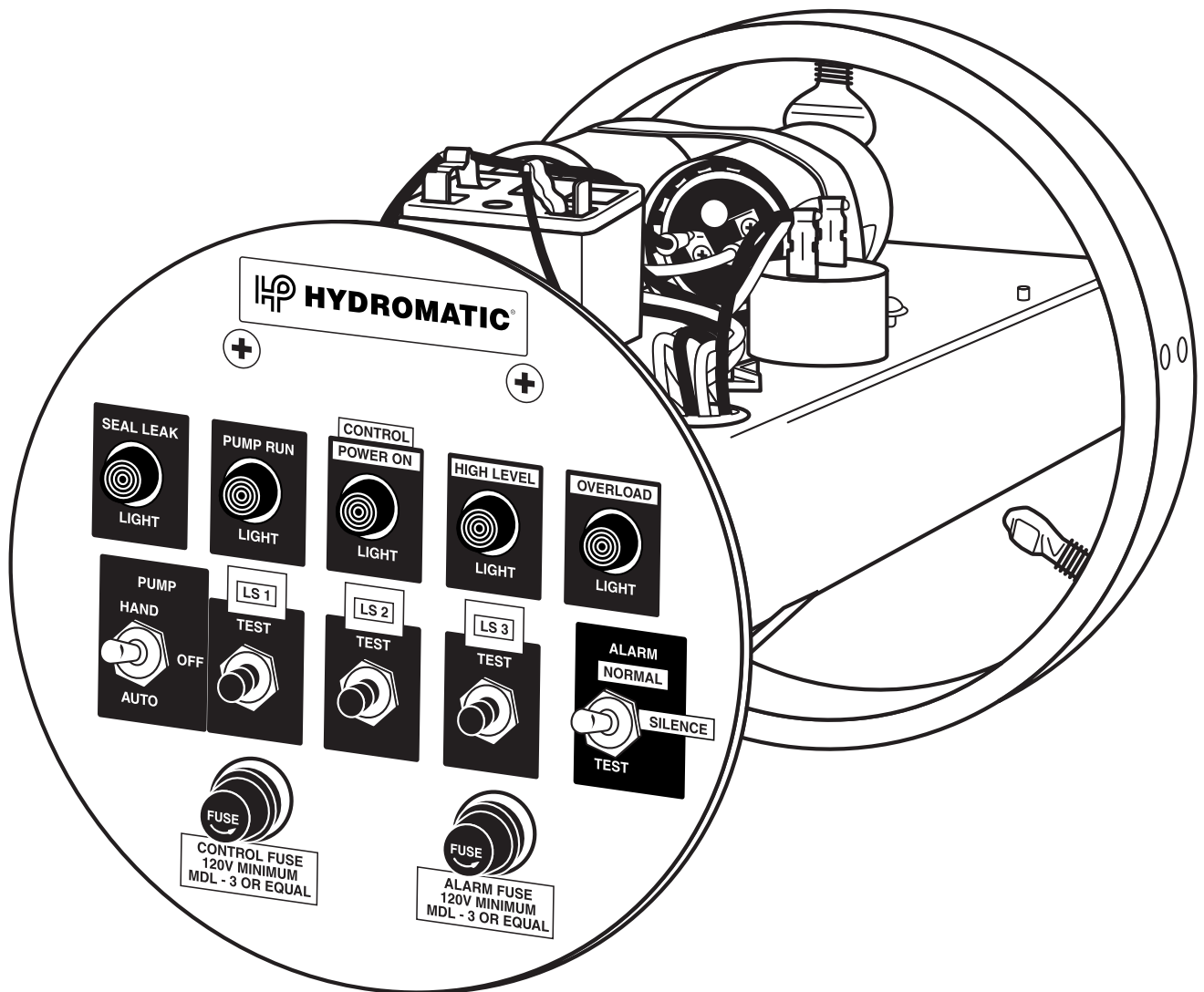




HYDROMATIC®

HRS

Hydromatic Retractable System



NOTE! To the installer: Please make sure you provide this manual to the owner of the pumping equipment or to the responsible party who maintains the system.



**Pentair
Water™**

General Information

Thank you for purchasing your Hydromatic® HRS. To help ensure years of trouble-free operation, please read the following manual carefully.

Before Operation:

Read the following instructions carefully. Reasonable care and safe methods should be practiced. Check local codes and requirements before installation.

Attention:

This manual contains important information for the safe use of this product. Read this manual completely before using this product and refer to it often for continued safe product use. **DO NOT THROW AWAY OR LOSE THIS MANUAL.** Keep it in a safe place so that you may refer to it often.

WARNING:

Before handling these pumps and controls, always disconnect the power first. Do not smoke or use sparkable electrical devices or flames in a septic (gaseous) or possible septic sump.

Installation Instructions

Electrical Connections

The contractor must conform to the latest requirements of the National Electrical Code and any local codes. All conduit and cables shall be in accordance with NEC code NFPA#70. To maintain

UL type 4X and CSA ENCL 4 rating, use UL type 4 and CSA weatherproof conduit hubs when connecting to this enclosure. Prior to conducting any installation, repair or service with regard to the control panel, refer to the schematic appropriate for that panel. The schematic will provide guidance with regard to the terminal block connections.

CAUTION: Nonmetallic enclosure does not provide grounding conduit connections. Use grounding bushing and jumper wires.

Make the following Electrical Connections:

a. Connect the pump leads to the control panel. When connecting the pump leads it is very critical that the proper sequence be maintained.

On single phase pumps, the color coded pump leads black, white, red, must be connected to the appropriate terminals as directed by the control schematic.

b. Connect all the float control leads to the appropriate panel terminal blocks. Contractor must be very careful in locating the floats at the proper elevations.

c. **Before connecting power to the control panel, make sure all control switches (e.g. H-O-A switch) and protective devices (e.g. breakers) are in the off position. Now connect power to the circuit breaker as directed by the schematic.**

d. **Power must be the correct voltage for the pump model. Power must have neutral to supply 120 volts to control circuit.**

e. **Control panel must be grounded properly per NEC and/or local codes. To facilitate this, a ground lug is provided on the control panel.**

Start-up Checklist

WARNING: Before handling these pumps and controls, always disconnect power first. Do not smoke or use sparkable electrical devices or flames in a septic (gaseous) or possible septic sump.

Check List

1. Check junction box for moisture.
2. Check wiring of pump black, white, red power wires.
3. Check wiring of heat sensor and seal failure wires if supplied.
4. Energize control panel. (Turn on power to panel.)
5. Check overload relay and verify it has reset.
6. **WARNING! Live voltage can kill!** Check voltage to the panel and to the control circuit using a voltmeter.
7. Check float operation and response to control panel to the float operation. For sequence of operation, refer to design specification.
8. Check full load current with amp probe and compare it with the nameplate rating. (Clamp amp probe around black pump wire.)
9. With pump running, check discharge to verify the pump is running. Check for flow.

Start-up Checklist

10. Check operation of start relay, per procedure in Item #6 of Maintenance Instructions.
11. Make sure H-O-A switch is left in the Auto position after start-up is completed.

Pump Start-up

Refer to pump Installation and Service Manual.

Periodic Maintenance

WARNING: Before handling these pumps and controls, always disconnect the power first. Do not smoke or use sparkable electrical devices or flames in a septic (gaseous) or possible septic sump.

The maintenance schedule will vary with operating and environmental conditions. It will also vary with the specific type of control supplied. The list herein is a guide only.

1. Exercise breaker through two cycles. Be careful not to over exercise as the breaker is not a switching device. Excessive operations tend to affect the trip curve of the breaker.
2. Check run light operation by running pump in Hand.
3. Check continuity through control fuse.
4. Check voltage to the panel and to the control circuit.
5. Check the pump full load amps.

6. Check the start relay by using an amp probe around the red wire (start winding). Amp probe should display a very brisk action from zero to locked rotor and back to operating load. This action occurs on pump start, and the action must show no lazy movement.
7. Check enclosure for moisture. Moisture may cause chattering of relays and contactors.
8. Check control capsule gasket for proper seal. This can be a visual inspection.
9. Check labels to verify they have not been damaged.
10. Pull floats and check for proper operation and ensure there is no foreign buildup on them.

Panel Troubleshooting

WARNING: Before handling these pumps and controls, always disconnect the power first. Do not smoke or use sparkable electrical devices or flames in a septic (gaseous) or possible septic sump.

1. Pump does not run in Hand position.

- a. Check pump circuit breaker and control fuse for tripping or for blown condition.
- b. Check incoming power voltage and control circuit voltage.
- c. Check overload relay to see if it is tripped. Reset relay if tripped.
- d. **With the power off**, check motor heat sensor continuity.

- e. Check wiring of pump to control panel. It should agree with the schematic.
- f. Check contactor coil resistance. It should be 125 to 150 ohms.

2. Pump does not run in Auto position.

- a. Check items (a.) through (d.) per Item #1.
- b. Floats may be miswired to control panel. Check float type (N.O. or N.C.) and hook up by referring to the schematic. If the start and stop floats are hooked in reverse, pump will short cycle and will not pump the level down.
- c. Is the water level in the system high enough to activate floats?

d1. **With the power off**, remove off float and on float wires and replace with two jumpers made from insulated wire.

d2. Turn power on (with H-O-A switch in Auto position). If pump runs, the problem is in one of the floats.

d3. If the problem is in a float, **Turn power off**, remove jumper and reconnect the upper float. Turn power on and see if pump will run in Auto. This will help identify which float is the problem. **Turn power off before removing any jumper or reconnecting any float.**

3. Pump runs, but run light does not energize.

- a. Run light is neon. Remove light and check on outside 120V source.

Panel Troubleshooting

- b. Check for loose wire at light or in panel.

4. Pump runs but does not pump down the wet well.

- a. Impeller may be dragging in volute due to solids. High amperage draw would identify this.
- b. Refer to the pump manual for other possibilities such as closed discharge gate valve, etc.

5. Severe humming chattering of contactors and control relays.

- a. There may be low voltage. Check voltage to the panel and to the control circuit using a voltmeter. This low voltage condition may even cause severe chattering and burn out of relays. Contactors require a minimum of 85% of full voltage to pull in without chatter. If the problem is a recurring one, measure voltage with recorder on a 24 hour basis.
- b. Contactor may have dust around magnet of coil structure. Dry or clean as required.
- c. Make sure the floats are located away from any turbulence.
- d. Dry out the junction box (if furnished); moisture in the junction box may tend to cause relays to energize intermittently.

6. Nuisance tripping of overload on the motor starters or the circuit breakers.

- a. Check all reset buttons and tripped breakers.
- b. Check pump and draw with amp probe and compare to nameplate amps on pump.
- c. The impeller may be locked up due to excessive debris or solids.
- d. Possible motor failure (fault on windings).
- e. Pump may be miswired to terminal block.

WARNING: Disconnect all power from the panel before making these checks.

7. Motor winding resistance readings.

- a. Disconnect all three motor leads.
- b. Using a volt-ohm meter, with the scale set on RX1, measure the resistance between the leads with chart figure A.

Chart Figure A

Winding	Typical Motor Leads	Resistance Reading
Main	Black to White	Lowest
Start	Black to Red	Next Lowest (Middle)
Both	White to Red	Highest

8. Capacitor Check.

- a. Make sure the capacitors are discharged. **Use extreme caution; severe shock hazard may exist with capacitors.**

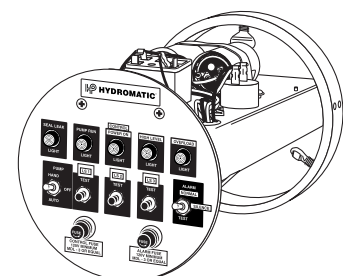
- b. Disconnect the capacitor leads and connect a volt-ohm meter to the capacitor terminals.
- c. The meter should indicate low ohms when it is first connected, but as the capacitor becomes charged (by the meter), it will return to a reading of infinity (open circuit).

NOTE: Set the meter on the RX10,000 scale to check the run capacitor.

Set the meter on the RX1,000 scale to check the start capacitor.

9. Start relay check.

- a. Check the coil resistance. It should be 5500 to 6000 ohms.
- b. Install a clamp on amp meter around the start winding lead.
- c. Set the amp meter scale to at least 2 times the pump motor full load current.
- d. Place the H-O-A switch in the Hand position to start the pump.
- e. The meter should read approximately 2 times full load current during starting.
- f. After the motor has started (within one second), the current should drop to full load current or less.



10. Motor voltage check:

Component	Typical Motor Lead	Mode	Voltage Reading
Main Winding	Black to White	Start	Line Voltage
Main Winding	Black to White	Run	Line Voltage
Start Winding	Black to Red	Start	Line Voltage
Start Winding	Black to Red	Run	120% Line Voltage

11. Short cycling pump.

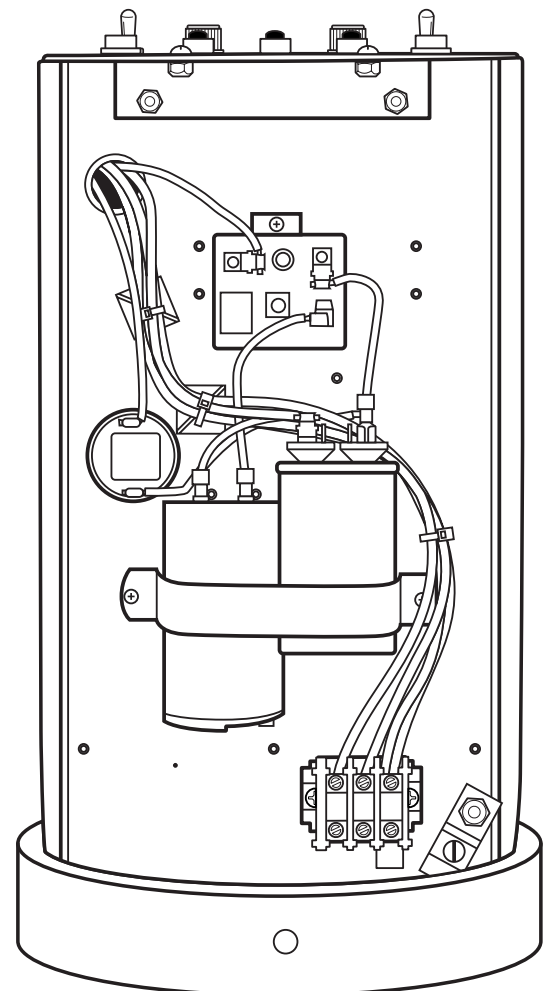
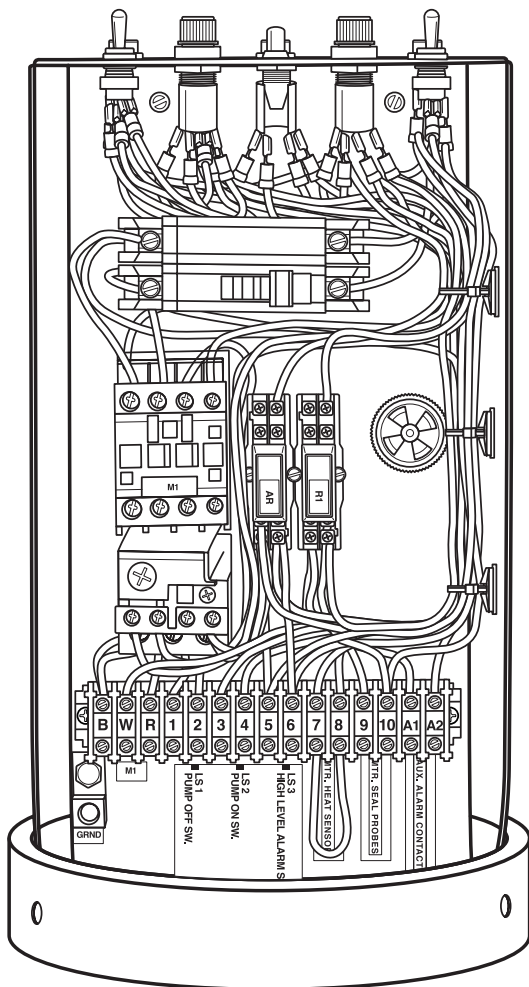
- a. Check float controls.

12. Run light stays on.

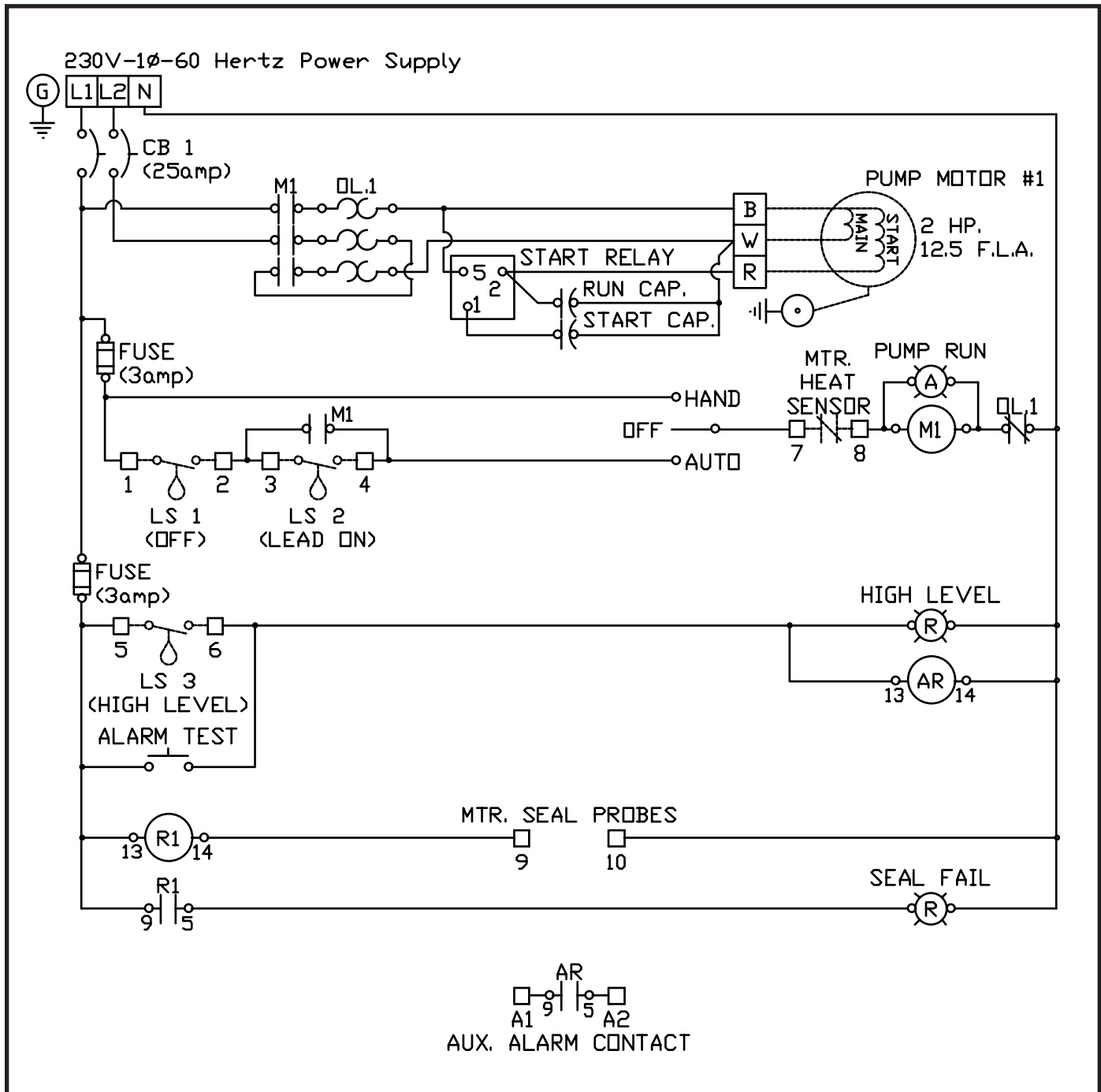
- a. Selector switch may be in the Hand position.

13. Test for blown fuse.

- a. Check for continuity with a V-O-M set on ohm scale.



Panel Schematics



WARRANTY

Hydromatic® warrants to the original purchaser of each Hydromatic product(s) that any part thereof that proves to be defective in material or workmanship within one year from date of installation or 18 months from manufacture date, whichever comes first, will be replaced at no charge with a new or remanufactured part, F.O.B. factory. Purchaser shall assume all responsibility and expense from removal, reinstallation and freight. Any item(s) designated as manufactured by others shall be covered only by the express warranty of the manufacturer thereof. This warranty does not apply to damage resulting from accident, alteration, design, misuse or abuse. The pump must be installed, operated and maintained in accordance with the published instructions of the appropriate Installation & Service Manual.

All dual seal non-clogs and 3–5 HP grinders must have seal failure and heat sensors attached and functional for Warranty to be in effect. If a seal failure should occur, Hydromatic will cover only the lower seal and labor thereof. Labor is based on Authorized Service Center contract allowance. If the heat sensor is not attached and functional, Warranty is void. If the seal failure sensor is not attached and functional, Warranty is void.

If the material furnished to the Buyer shall fail to conform to this contract or to any of the terms of this written warranty, Hydromatic shall replace such nonconforming material at the original point of delivery and shall furnish instruction for its disposition. Any transportation charges involved in such disposition shall be for the Buyer's account. The Buyer's exclusive and sole remedy on account or in respect of the furnishing of material that does not conform to this contract or to this written warranty, shall be to secure replacement thereof as aforesaid. Hydromatic shall not in any event be liable for the cost of any labor expended on any such material or for any incidental or consequential damages to anyone by reason of the fact that such material does not conform to this contract or to this written warranty.

ALL IMPLIED WARRANTIES, INCLUDING THE IMPLIED WARRANTY OF MERCHANTABILITY AND THE IMPLIED WARRANTY OF FITNESS FOR A PARTICULAR PURPOSE, ARE DISCLAIMED TO THE SAME EXTENT AS THE EXPRESS WARRANTY CONTAINED HEREIN. Some states do not allow limitations on how long an implied warranty lasts, so the above limitation may not apply to you.

MANUFACTURER EXPRESSLY DISCLAIMS AND EXCLUDES ANY LIABILITY FOR CONSEQUENTIAL OR INCIDENTAL DAMAGES FOR BREACH OF ANY EXPRESS OR IMPLIED WARRANTY ARISING IN CONNECTION WITH THIS PRODUCT, INCLUDING WITHOUT LIMITATION, WHETHER IN TORT, NEGLIGENCE, STRICT LIABILITY CONTRACT OR OTHERWISE. Some states do not allow the exclusion or limitation of incidental or consequential damages, so the above limitation or exclusion may not apply to you. This warranty gives you specific legal rights, and you may also have other rights which vary from state to state.



HYDROMATIC®

Pentair Water

USA

740 East 9th Street, Ashland, Ohio 44805
Tel: 419-289-3042 Fax: 419-281-4087

www.hydromatic.com

– Your Authorized Local Distributor –

CANADA

269 Trillium Drive, Kitchener, Ontario, Canada N2G 4W5
Tel: 519-896-2163 Fax: 519-896-6337