



# HYDROMATIC®

## 118-5 SYSTEM

### Sump Pump Hide-Away Basin System

(14.5" W, 16" H, 1.5" Discharge Opening)



- Proven 1/4HP submersible sump pump model: BV-A1
- Molded-in tank retainers to secure pump
- Heavy duty 5 gal polypropylene tank
- Oil filled motor with cast iron housing
- 23 GPM @ 10' total dynamic head
- Reliable vertical switch operation
- Easy to clean removable filter



**Pentair**  
**Water™**

# 118-5 Sump Pump Hide-Away Basin System

## Details

The Hydromatic 118-5 Hide-Away Basin System is here for the professional plumber. This package is an economical, above floor, under the sink system. The Hydromatic 118-5 Basin Hide-Away System allows you to add a drain without adding the headache of major remodeling (i.e. cutting concrete to install a basin). The 118-5 Hide-Away Basin System is a solution for immediate installation as well as a great idea for retro-fitting. The compact polypropylene water box with outside dimensions (see dimensional drawing) is ideal for small places. Although compact, it has the capacity for washing machine discharge, laundry trays, utility sinks, wet bars and air conditioning or dehumidifier drainage. At the heart of the Hydromatic 118 Hide-Away Basin System is the BV-A1 sump pump. This 1/4 HP heavy-duty sump pump is a proven Hydromatic design that runs on 115 volts. The oil-cooled motor also has built-in automatic thermal overload protection and a 10' power cord. The compact basin and BV-A1 pump makes the Hydromatic 118-5 Hide-Away Basin System a value-packed package for the professional plumber.

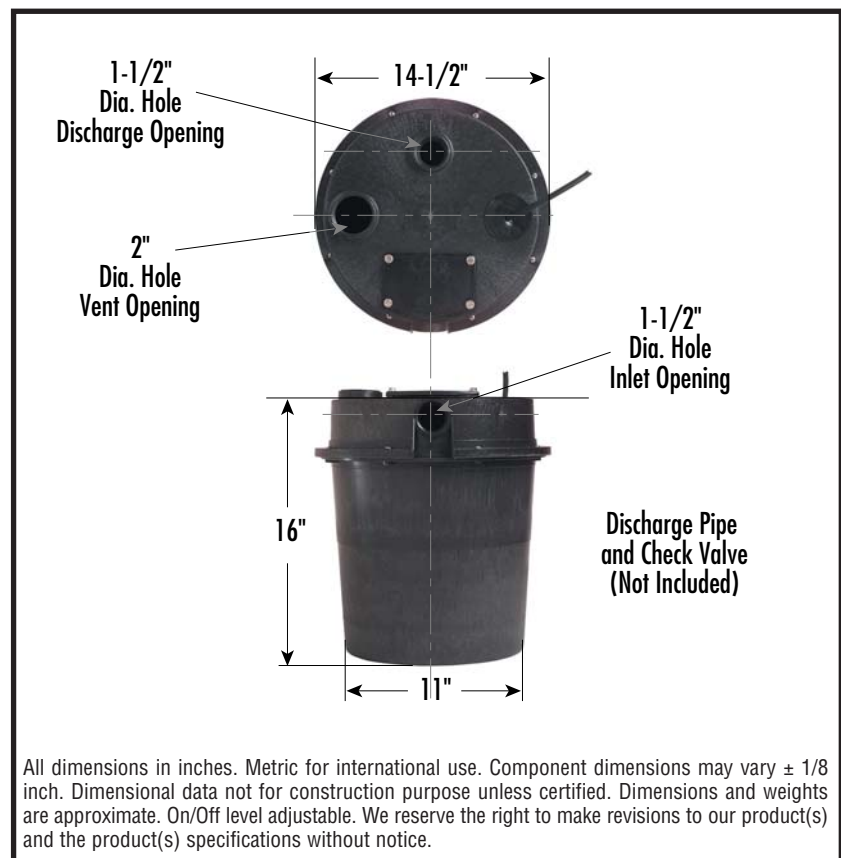
## Pump Characteristics

Pump/Motor Unit	Submersible
Automatic Models	BV-A1
Horsepower	1/4
Full Load Amps	6.5
Motor Type	PSC
R.P.M.	3450
Phase Ø	1
Voltage	115
Hertz	60
Temperature	150°F
Insulation	Class A
Discharge Size	1-1/2" NPT (38mm)
Solids Handling	1/4" (6mm)
Unit Weight	27 lbs.
Power Cord	18/3, SJTW, 10' std. (20' optional)

## Performance Data

Total Head (feet)	2	7	12	16	19	22
GPM (U.S.)	30	25	20	15	10	0

## Dimensional Data



## Materials of Construction

Handle	Thermoplastic
Lubricating Oil	Dielectric Oil
Motor Housing	Cast Iron
Pump Volute	Thermoplastic
Motor Cap	Thermoplastic
Shaft	Steel
Mechanical Shaft Seal	Seal Faces: Carbon/Ceramic Seal Body: Anodized Steel Spring: Stainless Steel Bellows: Buna-N
Impeller	Thermoplastic
Upper Bearing	Ball Bearing
Lower Bearing	Ball Bearing
Fasteners	Stainless Steel



— Your Authorized Local Distributor —

USA

740 East 9th Street Ashland, Ohio 44805  
Tel: 419-289-3042 Fax: 419-281-4087

www.hydraulic.com

CANADA

269 Trillium Drive Kitchener, Ontario, Canada N2G 4W5  
Tel: 519-896-2163 Fax: 519-896-6337