

# HYDROMATIC®

## HUP

### 1/6 HP Submersible Utility Pump



#### EASY TO USE MOST ANYWHERE

- Weighs only 7 lb.
- Built-in carrying handle.
- To operate, just attach a standard hose to pump discharge and plug into any 115V outlet.

#### REMOVES STANDING WATER DOWN TO 1/8" DEPTH

- Short slotted base and vane-type, semi-open impeller assure efficient water removal.

#### PROVIDES LONGER LIFE THAN SIMILAR SIZE DEWATERING PUMPS

- P.S. C. motor is air-filled and water-cooled for superior heat dissipation.
- Full mechanical shaft seal lasts 10 times longer than lip seals.

#### BUILT TO TAKE ROUGH HANDLING AND USAGE

- Full high-impact, corrosion resistant thermoplastic housing provides super-strong resilience.
- Full watertight construction allows total submersion in water while operating.
- Not for continuous duty.



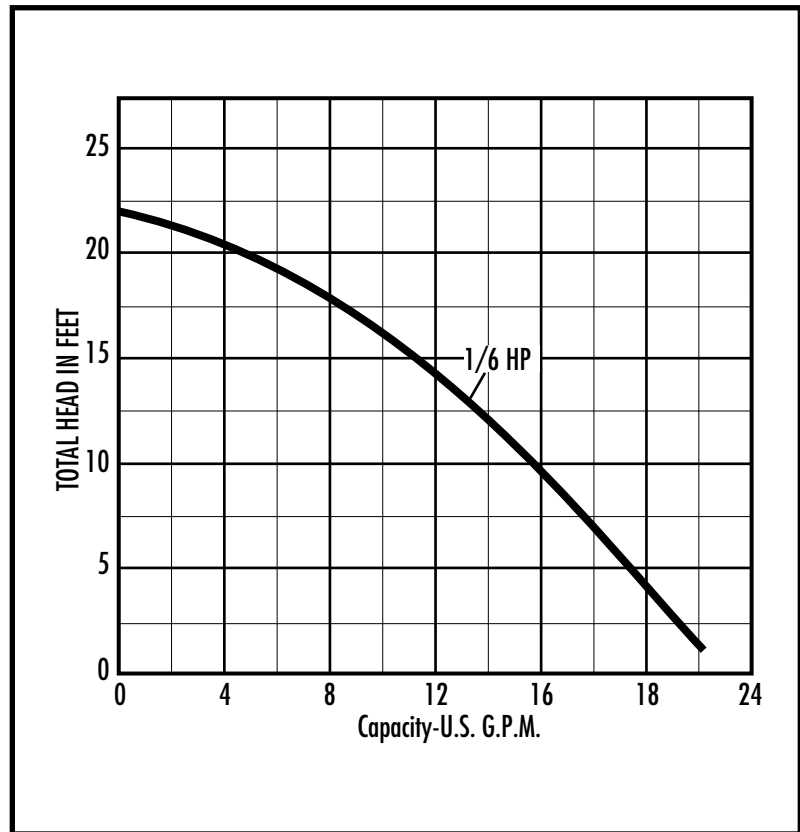
# HUP - 1/6 HP Submersible Utility Pump

## Details

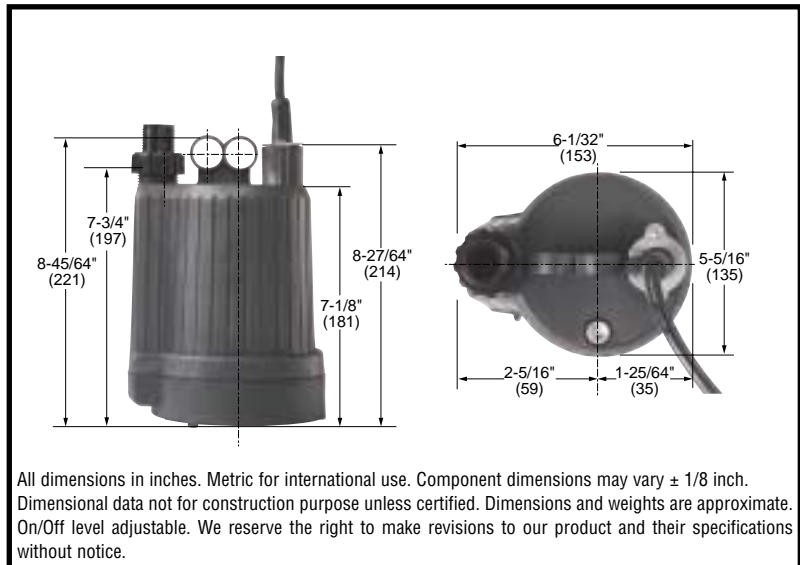
### Pump Characteristics

Pump/Motor Unit	Utility Pump	
Capacities To	20 GPM	75.71 LPM
Heads To	22 ft.	6.4 m
Solids Handling Capacity	1/8 in.	3.18mm
Liquids Handling	Drain Water	
Intermittent Liquid Temp.	Up to 140°F	Up to 60°C
Motor	1/6 HP P.S.C.	
Electrical	115V, 2 amps, 1ø, 60 Hz	
Acceptable pH Range	6-9	
Discharge Hose Adapter	1 in.	25.4 mm
Turn-On/Turn-Off	Manually Controlled	

### Performance Data



### Dimensional Data



### Materials of Construction

Housing	Thermoplastic
Power Cord	SJTW or SJTW-A, (10 ft.)
Mechanical Seal	Carbon and Ceramic

—Your Authorized Local Distributor—

**HYDROMATIC®**  
Pentair Pump Group

USA

1840 Baney Road Ashland, Ohio 44805  
Tel: 419-289-3042 Fax: 419-281-4087

[www.hydomatic.com](http://www.hydomatic.com)

CANADA

269 Trillium Drive Kitchener, Ontario, Canada N2G 4W5  
Tel: 519-896-2163 Fax: 519-896-6337